

RoHS Compliant

1GB REGISTERED DDR3 DIMM

Product Specifications

August 4, 2016

Version 1.1



Apacer Technology Inc.

1F., No.32, Zhongcheng Rd., Tucheng Dist., New Taipei City 236, Taiwan

Tel: +886-2-2267-8000 Fax: +886-2-2267-2261

www.apacer.com

Table of Contents

General Description	2
Ordering Information	2
Key Parameters	2
Specifications:	3
Features:	4
Pin Assignments	5
Pin Descriptions	7
Functional Block Diagram	8
Absolute Maximum Ratings	9
DRAM Component Operating Temperature Range.....	10
Operating Conditions	11
Mechanical Drawing	12

General Description

Apacer **78.01G3N.4000C** is a 128M x 72 DDR3 SDRAM (Synchronous DRAM) ECC Registered DIMM. This high-density memory module consists of 9 pieces 128M x 8 bits with 8 banks DDR3 synchronous DRAMs in BGA packages and a 2K EEPROM. The module is a 240-pins dual in-line memory module and is intended for mounting into a connector socket. Decoupling capacitors are mounted on the printed circuit board for each DDR3 SDRAM. The following provides general specifications of this module.

Ordering Information

Part Number	Bandwidth	Speed Grade	Max Frequency	CAS Latency
78.01G3N.4000C	8.5 GB/sec	1066 Mbps	533 MHz	CL7

Density	Organization	Component	Rank
1GB	128M x 72	128M x8*9	1

Key Parameters

MT/s	DDR3-1066	DDR3-1333	DDR3-1600	Unit
Grade	-CL7	-CL9	-CL11	
tCK (min)	1.875	1.5	1.25	ns
CAS latency	7	9	11	tCK
tRCD (min)	13.125	13.5	13.75	ns
tRP (min)	13.125	13.5	13.75	ns
tRAS (min)	37.5	36	35	ns
tRC (min)	50.625	49.5	48.75	ns
CL-tRCD-tRP	7-7-7	9-9-9	11-11-11	tCK

Specifications:

- ◆ Support ECC error detection and correction
- ◆ On-DIMM thermal sensor : Yes
- ◆ Organization: 128 words x 72 bits, 1 rank
- ◆ Integrating 9 pieces of 1G bits DDR3 SDRAM sealed FBGA
- ◆ Package: 240-pin socket type dual in-line memory module (REG DIMM)
- ◆ PCB: height 30.0 mm, lead pitch 1.0 mm (pin), lead-free (RoHS compliant)
- ◆ Power supply VDD: 1.5V ± 0.075V
- ◆ Serial Presence Detect (SPD)
- ◆ Eight Internal banks for concurrent operation
- ◆ Interface: SSTL_15
- ◆ Burst lengths (BL): 8 and 4 with Burst Chop (BC)
- ◆ CAS Latency (CL): 6, 7
- ◆ CAS Write Latency (CWL): 5, 6
- ◆ Supports auto pre-charge option for each burst access
- ◆ Supports auto-refresh/self-refresh
- ◆ Refresh cycles: 7.8 μ s at 0°C ≤ TC ≤ +85°C
- ◆ PCB: 30 μ gold finger

Features:

- ◆ Double-data-rate architecture: 2 data transfers per clock cycle
- ◆ The high-speed data transfer is realized by the 8 bits prefetch pipelined architecture
- ◆ Bi-directional differential data strobe (DQS and /DQS) is transmitted / received with data for capturing data at the receiver
- ◆ DQS is edge-aligned with data for READs; center aligned with data for WRITEs
- ◆ Differential clock inputs (CK and /CK)
- ◆ DLL aligns DQ and DQS transitions with CK transitions
- ◆ Data mask (DM) for writing data
- ◆ Posted /CAS by programmable additive latency for enhanced command and data bus efficiency
- ◆ On-Die-Termination (ODT) for improved signal quality: Synchronous ODT/Dynamic ODT/Asynchronous ODT
- ◆ Multi-Purpose Register (MPR) for temperature read out
- ◆ ZQ calibration for DQ drive and ODT
- ◆ Programmable Partial Array Self-Refresh (PASR)
- ◆ /Reset pin for power-up sequence and reset function
- ◆ SRT range: normal/extended, auto/manual self-refresh
- ◆ Programmable output driver impedance control
- ◆ Commands entered at each positive clock input, while data and data mask are referenced to both edges of DQS

Pin Assignments

Pin No.	Pin name	Pin No.	Pin name	Pin No.	Pin name	Pin No.	Pin name
1	VREFDQ	31	DQ25	61	A2	91	DQ41
2	Vss	32	Vss	62	VDD	92	Vss
3	DQ0	33	$\overline{\text{DQS3}}$	63	CK1,NC	93	$\overline{\text{DQS5}}$
4	DQ1	34	DQS3	64	$\overline{\text{CK1}}$,NC	94	DQS5
5	Vss	35	Vss	65	VDD	95	Vss
6	$\overline{\text{DQS0}}$	36	DQ26	66	VDD	96	DQ42
7	DQS0	37	DQ27	67	VREFCA	97	DQ43
8	VSS	38	Vss	68	Par_In,NC	98	Vss
9	DQ2	39	CB0,NC	69	VDD	99	DQ48
10	DQ3	40	CB1,NC	70	A10,AP	100	DQ49
11	Vss	41	Vss	71	BA0	101	Vss
12	DQ8	42	$\overline{\text{DQS8}}$	72	VDD	102	$\overline{\text{DQS6}}$
13	DQ9	43	DQS8	73	$\overline{\text{WE}}$	103	DQS6
14	Vss	44	Vss	74	$\overline{\text{CAS}}$	104	Vss
15	$\overline{\text{DQS1}}$	45	CB2,NC	75	VDD	105	DQ50
16	DQS1	46	CB3,NC	76	$\overline{\text{S1}}$,NC	106	DQ51
17	Vss	47	Vss	77	ODT1,NC	107	Vss
18	DQ10	48	VTT,NC	78	VDD	108	DQ56
19	DQ11	49	VTT,NC	79	$\overline{\text{S2}}$,NC	109	DQ57
20	Vss	50	CKE0	80	Vss	110	Vss
21	DQ16	51	VDD	81	DQ32	111	$\overline{\text{DQS7}}$
22	DQ17	52	BA2	82	DQ33	112	DQS7
23	Vss	53	$\overline{\text{Err_out}}$,NC	83	Vss	113	Vss
24	$\overline{\text{DQS2}}$	54	VDD	84	$\overline{\text{DQS4}}$	114	DQ58
25	DQS2	55	A11	85	DQS4	115	DQ59
26	Vss	56	A7	86	Vss	116	Vss
27	DQ18	57	VDD	87	DQ34	117	SA0
28	DQ19	58	A5	88	DQ35	118	SCL
29	Vss	59	A4	89	Vss	119	SA2
30	DQ24	60	VDD	90	DQ40	120	VTT

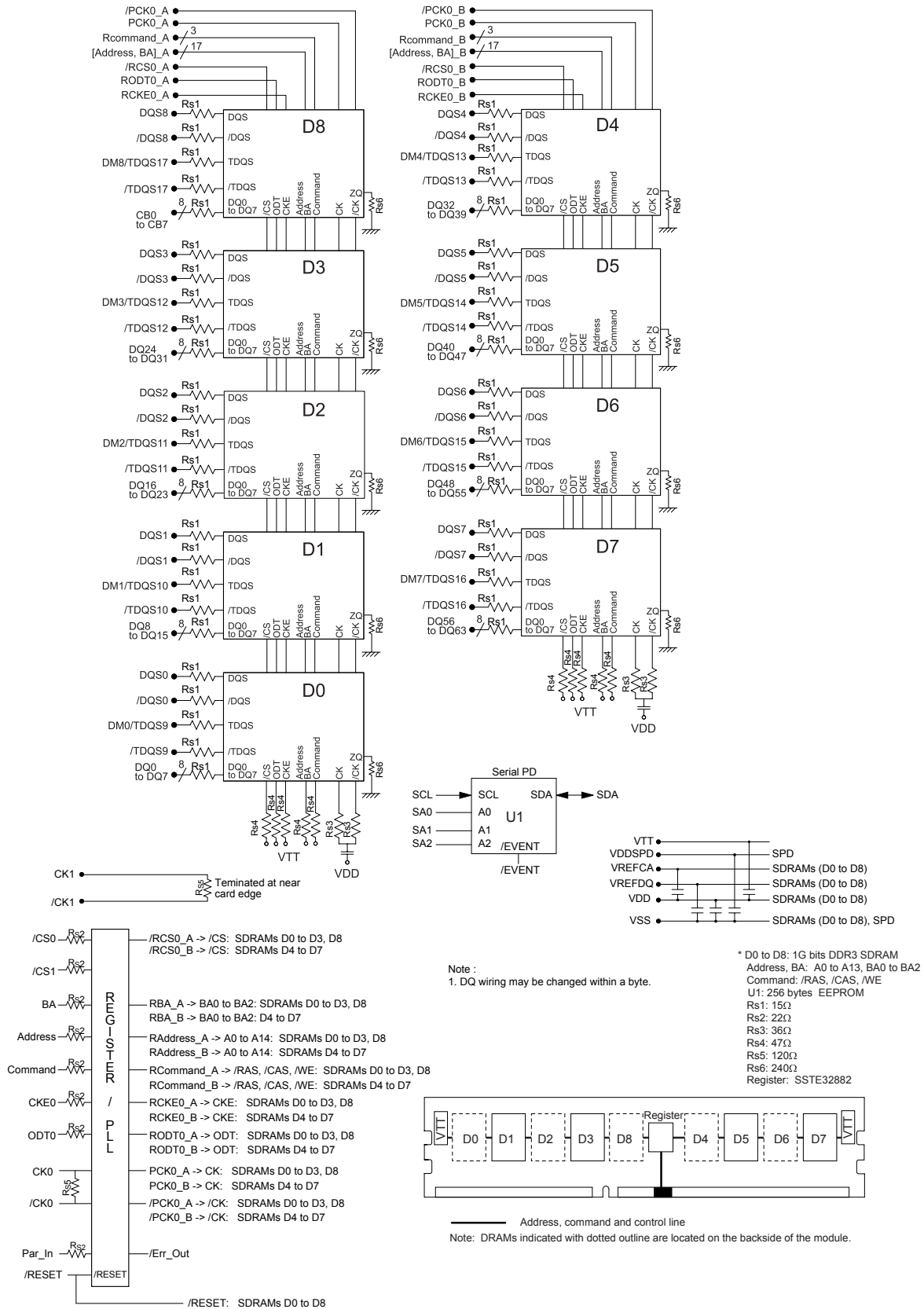
Pin No.	Pin name	Pin No.	Pin name	Pin No.	Pin name	Pin No.	Pin name
121	Vss	151	Vss	181	A1	211	Vss
122	DQ4	152	DM3,(T)DQS12	182	VDD	212	DM5,(T)DQS14
123	DQ5	153	NC, $\overline{(T)DQS12}$	183	VDD	213	NU, $\overline{(T)DQS14}$
124	Vss	154	Vss	184	CK0	214	Vss
125	DM0,(T)DQS9	155	DQ30	185	$\overline{CK0}$	215	DQ46
126	NC, $\overline{(T)DQS9}$	156	DQ31	186	VDD	216	DQ47
127	Vss	157	Vss	187	\overline{EVENT} ,NC	217	Vss
128	DQ6	158	CB4,NC	188	A0	218	DQ52
129	DQ7	159	CB5,NC	189	VDD	219	DQ53
130	Vss	160	VSS	190	BA1	220	Vss
131	DQ12	161	DM8(T)DQS17	191	VDD	221	DM6,(T)DQS15
132	DQ13	162	NC, $\overline{(T)DQS17}$	192	\overline{RAS}	222	NC, $\overline{(T)DQS15}$
133	Vss	163	Vss	193	$\overline{S0}$	223	Vss
134	DM1,(T)DQS10	164	CB6,NC	194	VDD	224	DQ54
135	NC, $\overline{(T)DQS10}$	165	CB7,NC	195	ODT0	225	DQ55
136	Vss	166	Vss	196	A13	226	Vss
137	DQ14	167	NC(TEST)	197	VDD	227	DQ60
138	DQ15	168	\overline{RESET}	198	$\overline{S3}$,NC	228	DQ61
139	Vss	169	CKE1,NC	199	Vss	229	Vss
140	DQ20	170	VDD	200	DQ36	230	DM7(T)DQS16
141	DQ21	171	NC,A15	201	DQ37	231	NC, $\overline{(T)DQS16}$
142	Vss	172	NC,A14	202	Vss	232	Vss
143	DM2(T)DQS11	173	VDD	203	DM4,(T)DQS13	233	DQ62
144	NC, $\overline{(T)DQS11}$	174	A12	204	NC, $\overline{(T)DQS13}$	234	DQ63
145	Vss	175	A9	205	Vss	235	Vss
146	DQ22	176	VDD	206	DQ38	236	VDDSPD
147	DQ23	177	A8	207	DQ39	237	SA1
148	Vss	178	A6	208	Vss	238	SDA
149	DQ28	179	VDD	209	DQ44	239	Vss
150	DQ29	180	A3	210	DQ45	240	VTT

*IC Component Composition :
 256Mx8 A0~A14
 512Mx8 A0~A15
 1024Mx8 A0~A15

Pin Descriptions

Pin Name	Description
Ax*	SDRAM address bus
BAx	SDRAM bank select
DQx	DIMM memory data bus
CBx	DIMM ECC check bits
$\overline{\text{RAS}}$	SDRAM row address strobe
$\overline{\text{CAS}}$	SDRAM column address strobe
$\overline{\text{WE}}$	SDRAM write enable
$\overline{\text{Sx}}$	SDRAM Chip select lines
CKEx	SDRAM clock enable lines
CKx	SDRAM clock input
$\overline{\text{CKx}}$	SDRAM Differential clock input
DQSx	SDRAM data strobes(positive line of differential pair)
$\overline{\text{DQSx}}$	SDRAM data strobes(negative line of differential pair)
TDQSx ; $\overline{\text{TDQSx}}$	Termination data strobe
DMx	SDRAM input mask
SCL	Clock input for serial PD
SDA	Data input/output for serial PD
SAX	Serial address input
VDD	Power for internal circuit
VDDSPD	Serial EEPROM positive power supply
VREFDQ	SDRAM I/O reference supply
VREFCA	SDRAM command/address reference supply
VSS	Power supply return(ground)
VTT	SDRAM I/O termination supply
$\overline{\text{RESET}}$	Set DRAM to known state
ODTx	On-die termination control lines
Par_In	Parity bit for the Address and Control bus
$\overline{\text{Err_Out}}$	Parity error found on the Address and Control bus
$\overline{\text{EVENT}}$	An output of the thermal sensor to indicate critical module temperature
NC	Spare pins(no connect)
TEST	Reserved for optional hardware temperature sensing

Functional Block Diagram



Absolute Maximum Ratings

Parameter	Symbol	Description	Units
Voltage on VDD pin relative to Vss	V_{DD}	- 0.4 V ~ 1.975 V	V
Voltage on VDDQ pin relative to Vss	V_{DDQ}	- 0.4 V ~ 1.975 V	V
Voltage on any pin relative to Vss	V_{IN}, V_{OUT}	- 0.4 V ~ 1.975 V	V
Storage Temperature	TSTG	-55 to +100	°C

Notes:

1. Stresses greater than those listed under “Absolute Maximum Ratings” may cause permanent damage to the device. This is a stress rating only and functional operation of the device at these or any other conditions above those indicated in the operational sections of this specification is not implied. Exposure to absolute maximum rating conditions for extended periods may affect reliability.
2. Storage Temperature is the case surface temperature on the center/top side of the DRAM. For the measurement conditions, please refer to JESD51-2 standard.
3. VDD and VDDQ must be within 300mV of each other at all times; and VREF must not be greater than 0.6 x VDDQ, when VDD and VDDQ are less than 500mV; VREF may be equal to or less than 300mV.

DRAM Component Operating Temperature Range

Symbol	Parameter	Rating	Units	Notes
TOPER	Normal Operating Temperature Range	0 to 85	°C	1,2
	Extended Temperature Range	85 to 95	°C	1,3

Notes:

1. Operating Temperature TOPER is the case surface temperature on the center / top side of the DRAM. For Measurement conditions please refer to the JEDEC document JESD51-2.
2. The Normal Temperature Range specifies the temperatures where all DRAM specifications will be supported. During operation, the DRAM case temperature must be maintained between 0 - 85°C under all operating Conditions.
3. Some applications require operation of the DRAM in the Extended Temperature Range between 85°C and 95°C case temperature. Full specifications are guaranteed in this range, but the following additional conditions apply:
 - a. Refresh commands must be doubled in frequency, therefore reducing the Refresh interval tREFI to 3.9 μs. It is also possible to specify a component with 1X refresh (tREFI to 7.8μs) in the Extended Temperature Range.
 - b. If Self-Refresh operation is required in the Extended Temperature Range, then it is mandatory to either use the Manual Self-Refresh mode with Extended Temperature Range capability (MR2 A6 = 0b and MR2 A7 = 1b) or enable the optional Auto Self-Refresh mode (MR2 A6 = 1b and MR2 A7 = 0b).

Operating Conditions

Recommended DC Operating Conditions - DDR3 (1.5V) operation

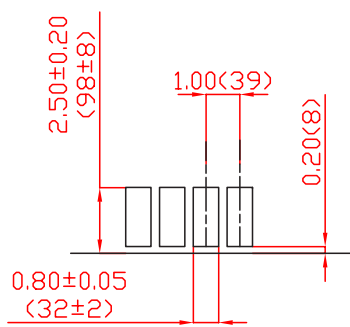
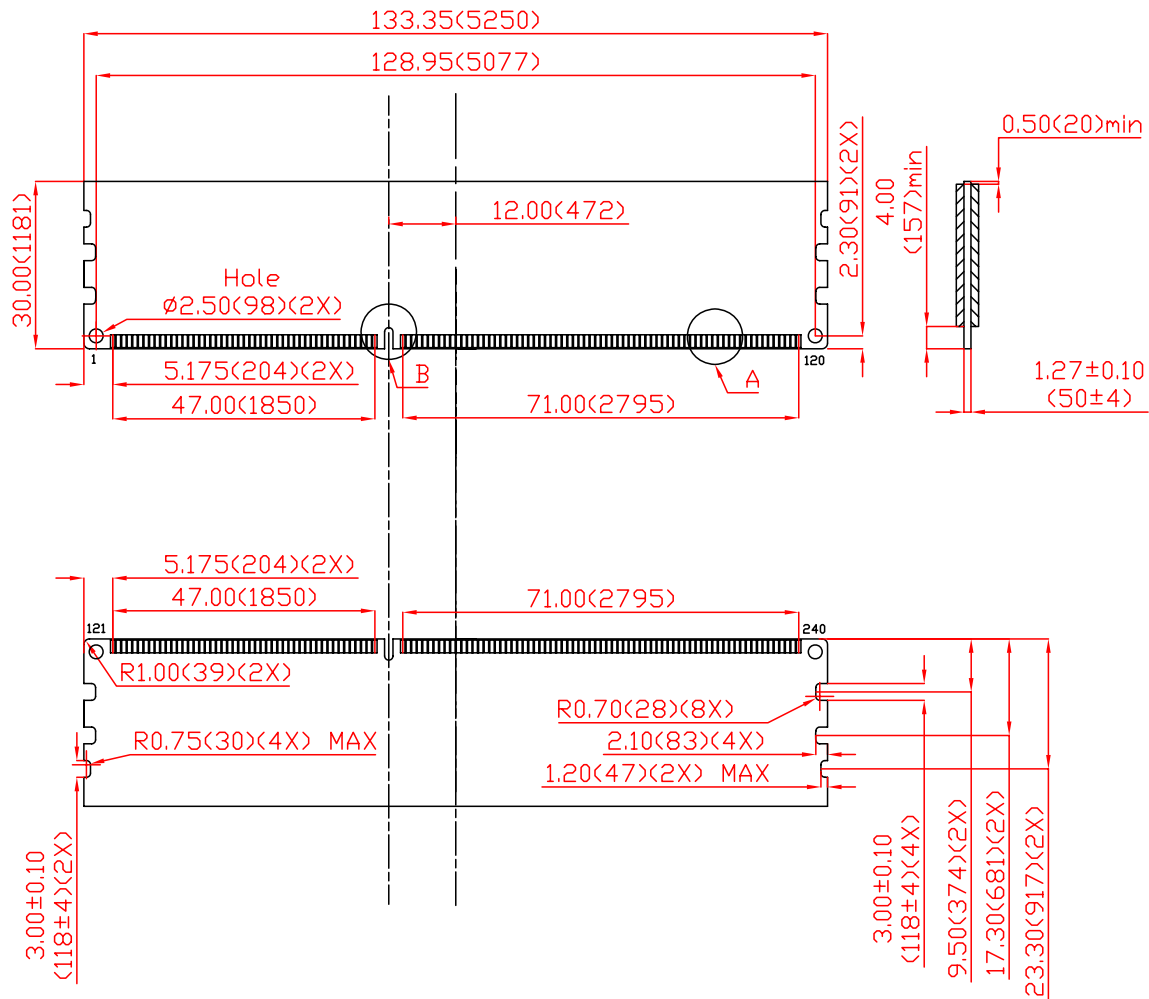
Symbol	Parameter	Rating			Units
		Min.	Typ.	Max.	
VDD	Supply Voltage	1.425	1.5	1.575	V
VDDQ	Supply Voltage for Output	1.425	1.5	1.575	V

Notes:

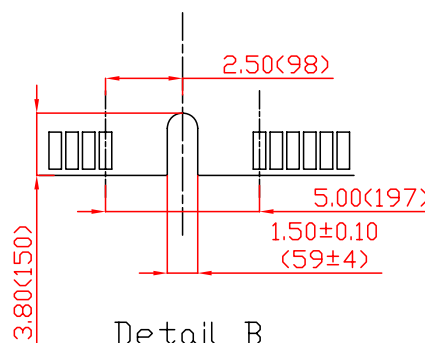
1. Under all conditions VDDQ must be less than or equal to VDD.
2. VDDQ tracks with VDD. AC parameters are measured with VDD and VDDQ tied together.

Mechanical Drawing

Unit: mm



Detail A



Detail B

30μ gold finger

(All dimensions are in millimeters with ± 0.15 mm tolerance unless specified otherwise.)

Revision History

Revision	Date	Description	Remark
0.9	08/28/2012	Official release	
1.0	08/29/2012	release	
1.1	07/23/2013	1.Changed headquarters address 2.Added 30μ gold finger	

Global Presence

Taiwan (Headquarters)

Apacer Technology Inc.

1F., No.32, Zhongcheng Rd., Tucheng Dist.,
New Taipei City 236, Taiwan R.O.C.

Tel: +886-2-2267-8000

Fax: +886-2-2267-2261

amtsales@apacer.com

U.S.A.

Apacer Memory America, Inc.

46732 Lakeview Blvd., Fremont, CA 94538

Tel: 1-408-518-8699

Fax: 1-510-249-9568

sa@apacerus.com

Japan

Apacer Technology Corp.

5F, Matsura Bldg., Shiba, Minato-Ku

Tokyo, 105-0014, Japan

Tel: 81-3-5419-2668

Fax: 81-3-5419-0018

jpservices@apacer.com

Europe

Apacer Technology B.V.

Science Park Eindhoven 5051 5692 EB Son,
The Netherlands

Tel: 31-40-267-0000

Fax: 31-40-290-0686

sales@apacer.nl

China

Apacer Electronic (Shanghai) Co., Ltd.

Room D, 22/FL, No.2, Lane 600, Jieyun Plaza,

Tianshan RD, Shanghai, 200051, China

Tel: 86-21-6228-9939

Fax: 86-21-6228-9936

sales@apacer.com.cn

India

Apacer Technologies Pvt Ltd.

Unit No.201, "Brigade Corner", 7th Block Jayanagar,

Yediyur Circle, Bangalore – 560082, India

Tel: 91-80-4152-9061

Fax: 91-80-4170-0215

sales_india@apacer.com